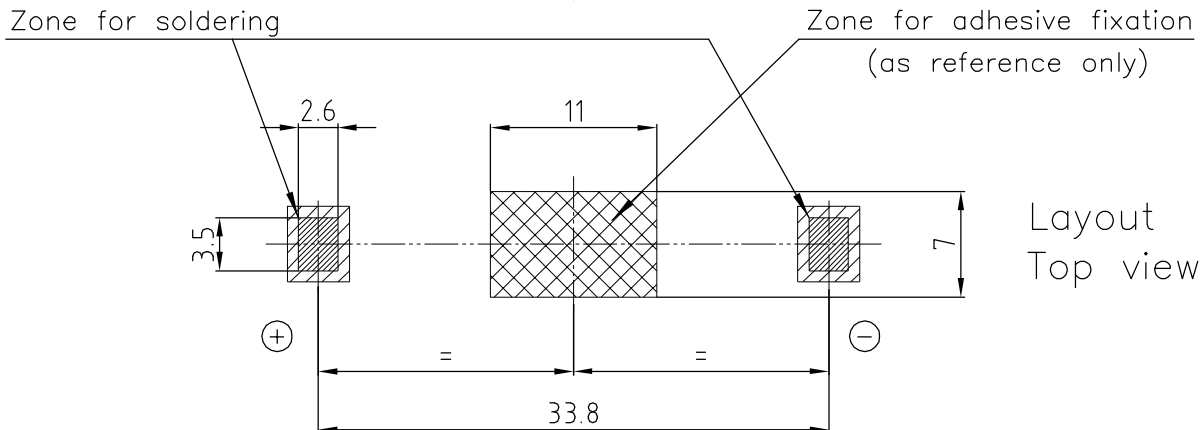
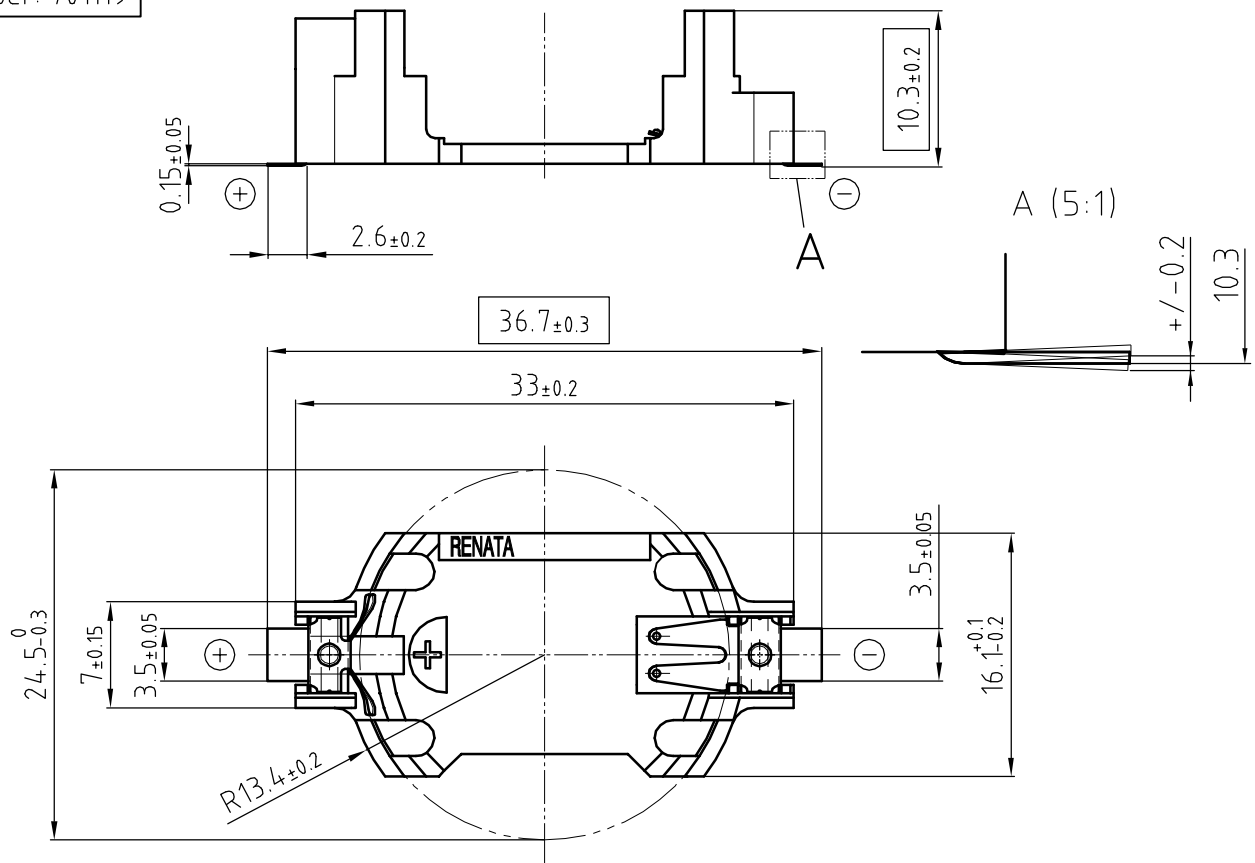


Art.-Number: 701119



All dimensions in mm

Holder material : heat resistant, glass-fiber reinforced LCP

Battery contacts : spring stainless steel 301 nickel plated throughout

Solder contacts : spring stainless steel 301 solder area tin-plated throughout, min. thickness 5um

All framed values will be used for dimension checking !

The Products of Renata SA are neither designed nor authorized for use in certain areas of application of environment.

For further details we refer to our webpage [www.renata.com/downloads/restriction\\_of\\_use](http://www.renata.com/downloads/restriction_of_use)

Rev. ①	07.09.07	Mci	Rev. ④	30.10.17	PWU		Customer's Approval		
Rev. ②	24.10.07	SRi	Rev. ⑤	10.10.19	PWU		Date		
Rev. ③	15.09.10	Wu Ping	Rev. ○				Signature		
Title:						Scale	Drawn	25.01.05	SRi
SMTU2477N-LF						2:1	Checked		
							Approved		
						CH-4452 Itingen Switzerland			
						3.8763.4-5			

Samples can deviate in the execution from the serie.

Dimensions and tolerances can be specified only after the testing of the devices for the mass production definitely