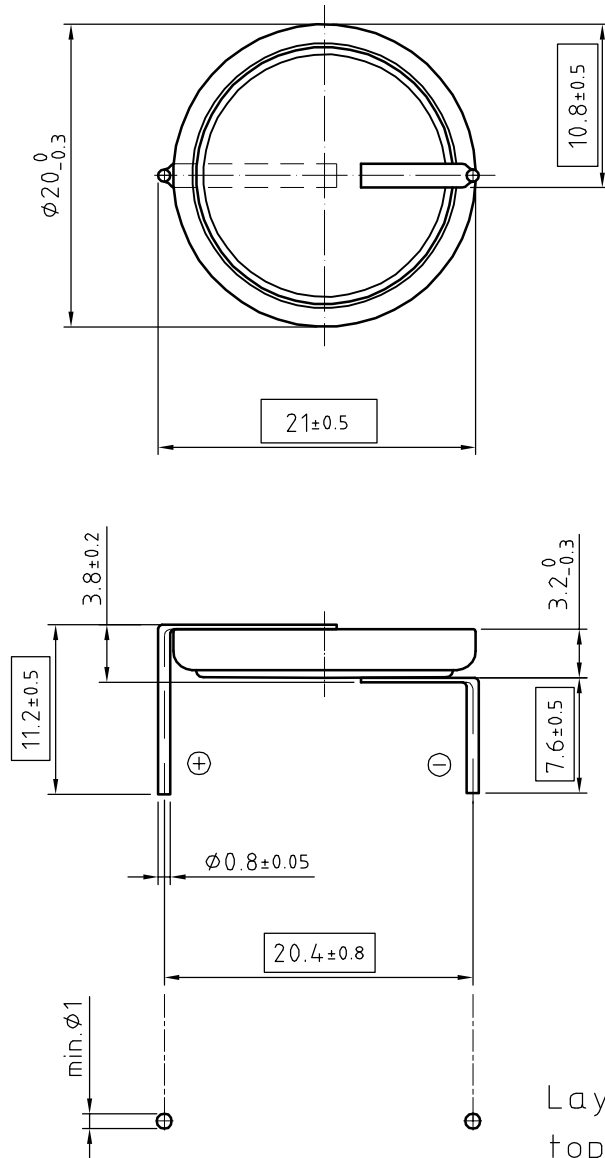


Art.-Number: 701723



Layout
top view

- Samples can deviate in the execution from the serie.

Tab material: CuNi44
All dimensions in mm.

- Dimensions and tolerances can be specified only after the testing of the devices for the mass production definitely

All framed values will be used for dimension checking !

The Products of Renata SA are neither designed nor authorized for use in certain areas of application of environment.
For further details we refer to our webpage www.renata.com/downloads/restriction_of_use

| | | | | | | | | | | |
|----------------|---|----------|-----|------|---|--|-------|---------------------|----------|-----|
| Rev. | ① | 01.11.14 | PWU | Rev. | ○ | | | Customer's Approval | | |
| Rev. | ② | 26.08.19 | PWU | Rev. | ○ | | | Date | | |
| Rev. | ○ | | | Rev. | ○ | | | Signature | | |
| Title: | | | | | | | Scale | Drawn | 24.11.06 | SRI |
| CR2032 MFR AH1 | | | | | | | 2:1 | Checked | | |
| | | | | | | | | Approved | | |

renata 
batteries

CH-4452 Itingen
Switzerland

3.9167.4-2