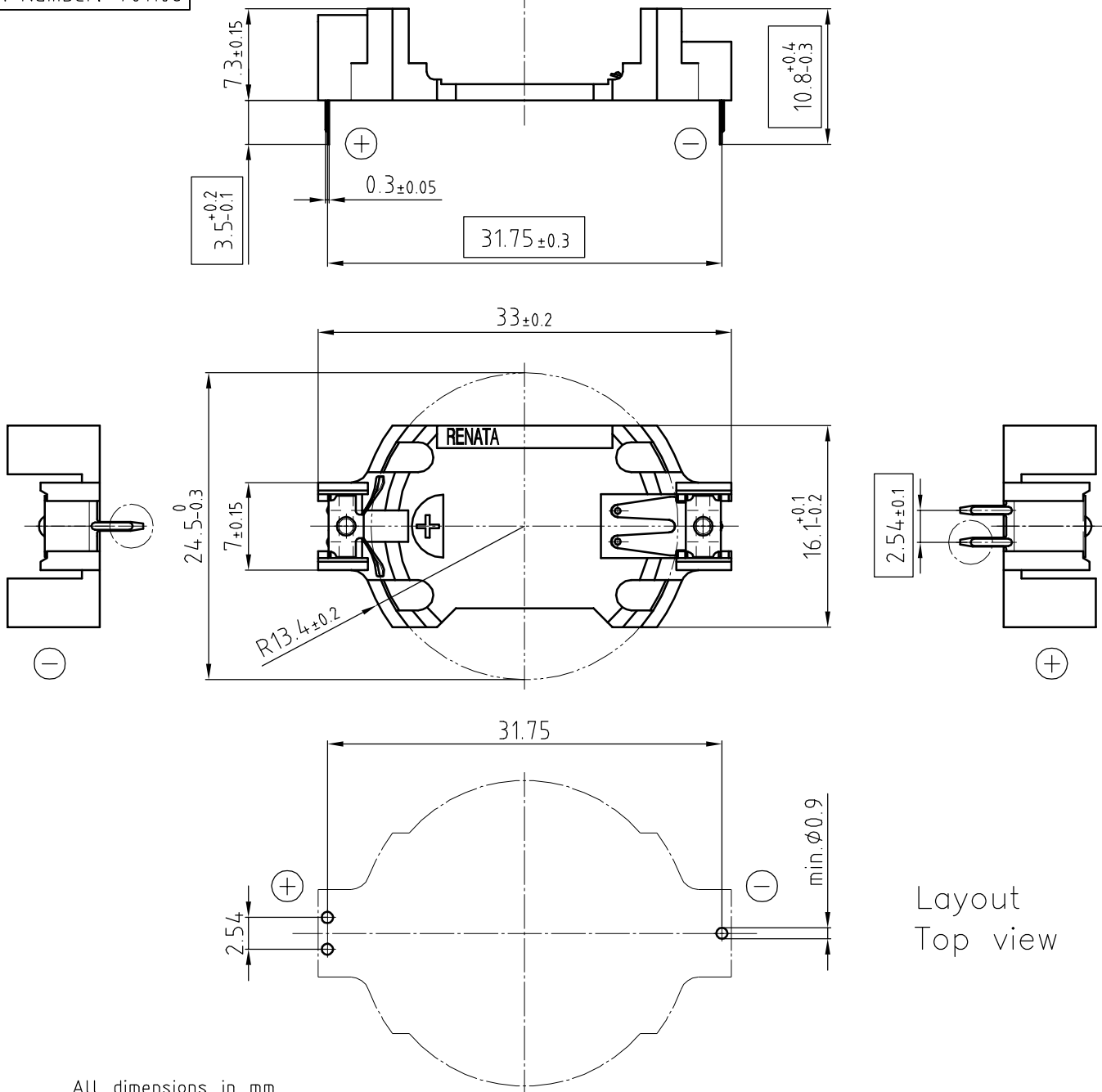


Art.-Number: 701108



Layout  
Top view

All dimensions in mm

Holder material : heat resistant, glass-fiber reinforced LCP

Battery contacts : spring stainless steel 301 nickel plated throughout

Solder contacts : spring stainless steel 301 solder area tin-plated throughout, min. thickness 5um

All framed values will be used for dimension checking !

The Products of Renata SA are neither designed nor authorized for use in certain areas of application of environment.

For further details we refer to our webpage [www.renata.com/downloads/restriction\\_of\\_use](http://www.renata.com/downloads/restriction_of_use)

Rev.	①	10.09.07	MCi	Rev.	○		Customer's Approval		
Rev.	②	18.09.10	Wu Ping	Rev.	○		Date		
Rev.	③	27.08.19	PWU	Rev.	○		Signature		
Title:						Scale	Drawn	21.01.05	SRI
HU2450N-LF						2:1	Checked		
							Approved		

**renata**   
batteries

CH-4452 Itingen  
Switzerland

3.8753.4-3

Samples can deviate in the execution from the serie.

- Dimensions and tolerances can be specified only after the testing of the devices for the mass production definitely