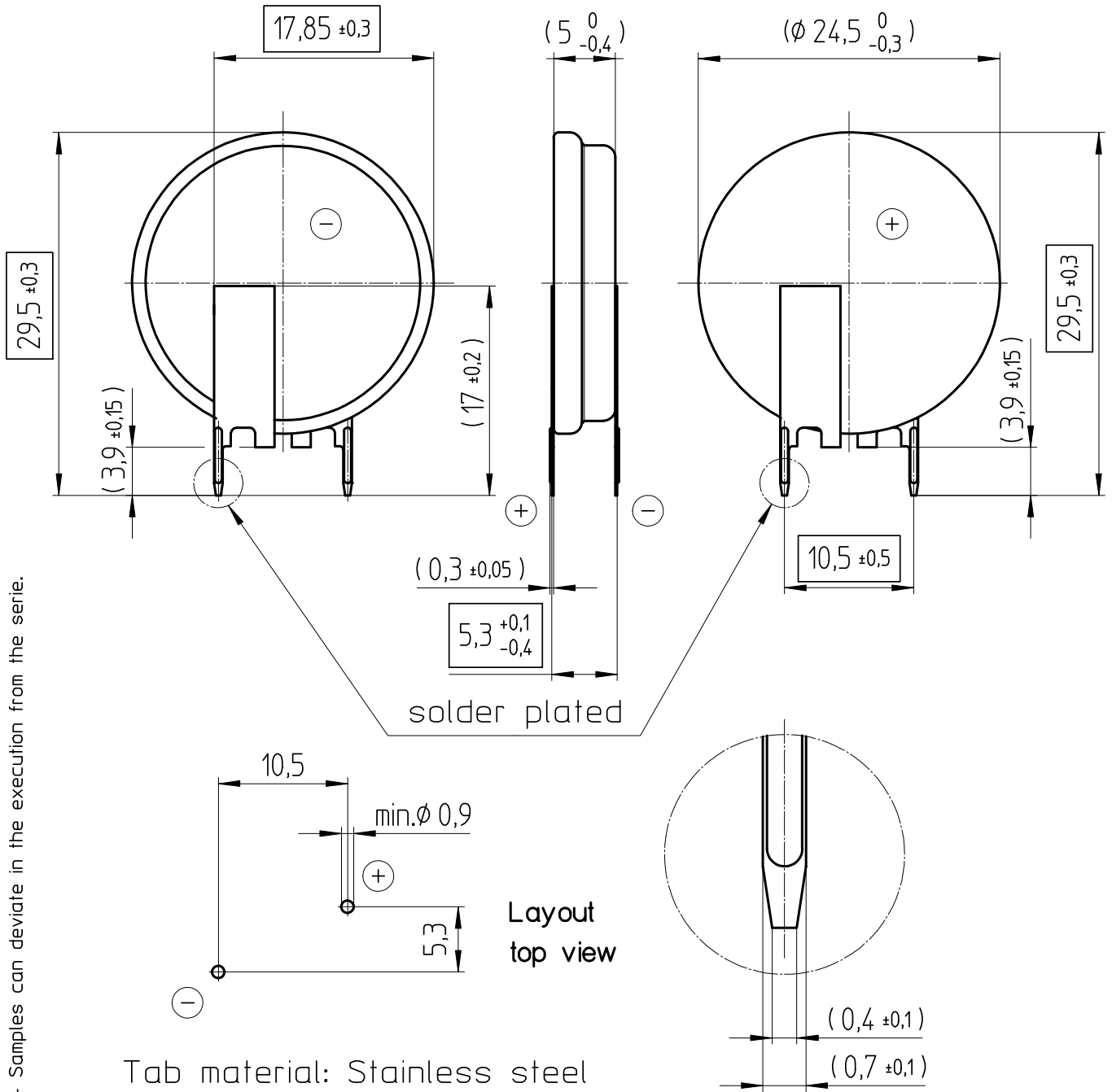


Art.-Number: 701096

- Samples can deviate in the execution from the serie.

- Dimensions and tolerances can be specified only after the testing of the devices for the mass production definitely



All framed values will be used for dimension checking !

The Products of Renata SA are neither designed nor authorized for use in certain areas of application of environment. For further details we refer to our webpage: [www.renata.com/downloads/restriction\\_of\\_use](http://www.renata.com/downloads/restriction_of_use)

Rev.	①	12.09.2019	SRi	Rev.	⊙	.	.		Customer's Approval			
Rev.	⊙	.	.	Rev.	⊙	.	.		Date			
Rev.	⊙	.	.	Rev.	⊙	.	.		Signature			
Titel:								Scale 2:1	Drawn	05.01.05	SRi	
<h1>CR2450NFV-LF</h1>									Checked	13.09.19	HSn	
									Approved	16.09.19	MDi	
								CH-4452 Itingen Switzerland			<h1>3.8734.4-1</h1>	