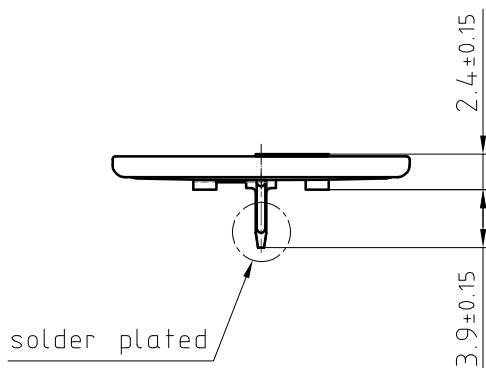
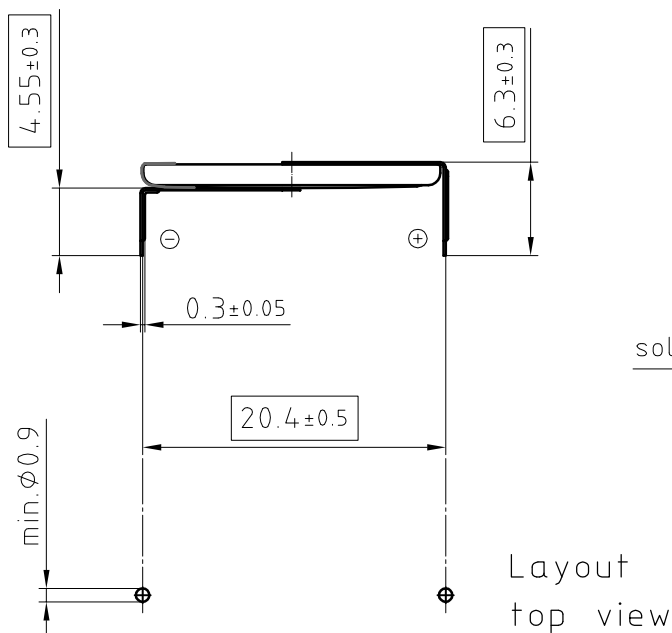
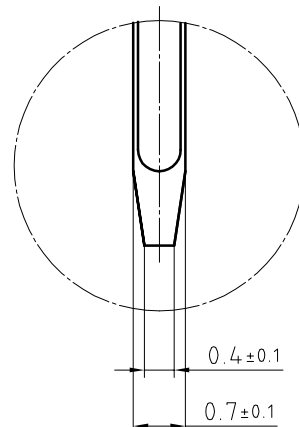
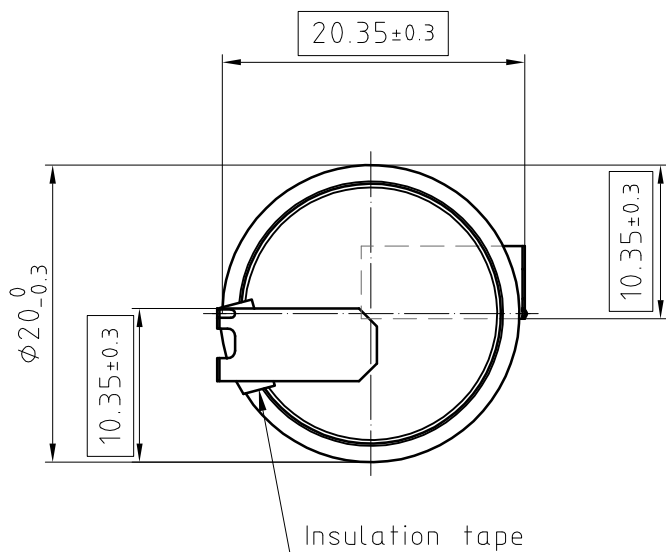


Art.-Number:703316



- Samples can deviate in the execution from the serie.

All dimensions in mm.

Tab material: Stainless steel

Direction of tab corrugation could be to the inner side, or outer side

All framed values will be used for dimension checking !

- Dimensions and tolerances can be specified only after the testing of the devices for the mass production definitely
© 2013 by Renata SA Itingen/Switzerland

Rev.	①	18.02.13	PWu	Rev.	○				Customer's Approval		
Rev.	○			Rev.	○				Date		
Rev.	○			Rev.	○				Signature		
Title:								Scale 2:1	Drawn	18.09.12	PWu
CR2016 MFR HF1									Checked		
									Approved	18.02.13	MDi

renata
batteries

CH-4452 Itingen
Switzerland

10.0906.4-