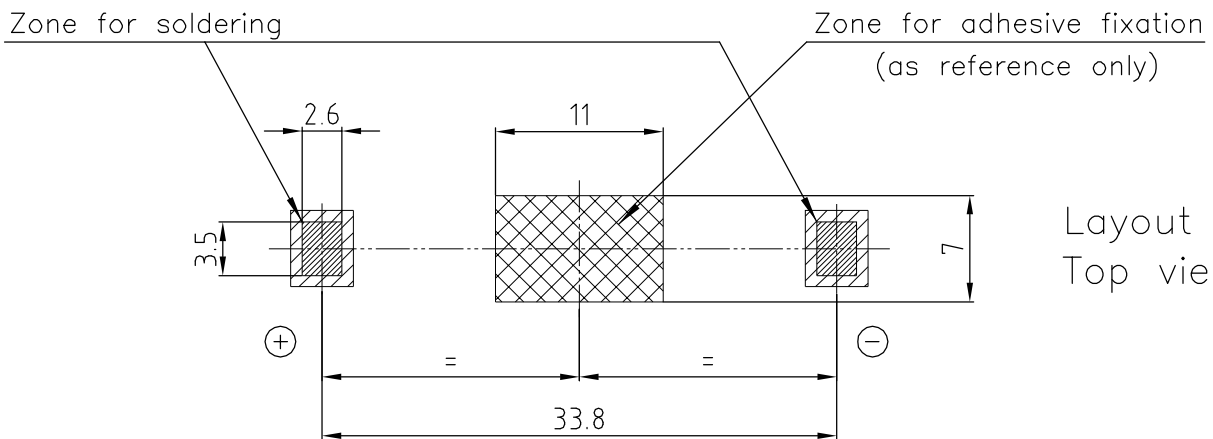
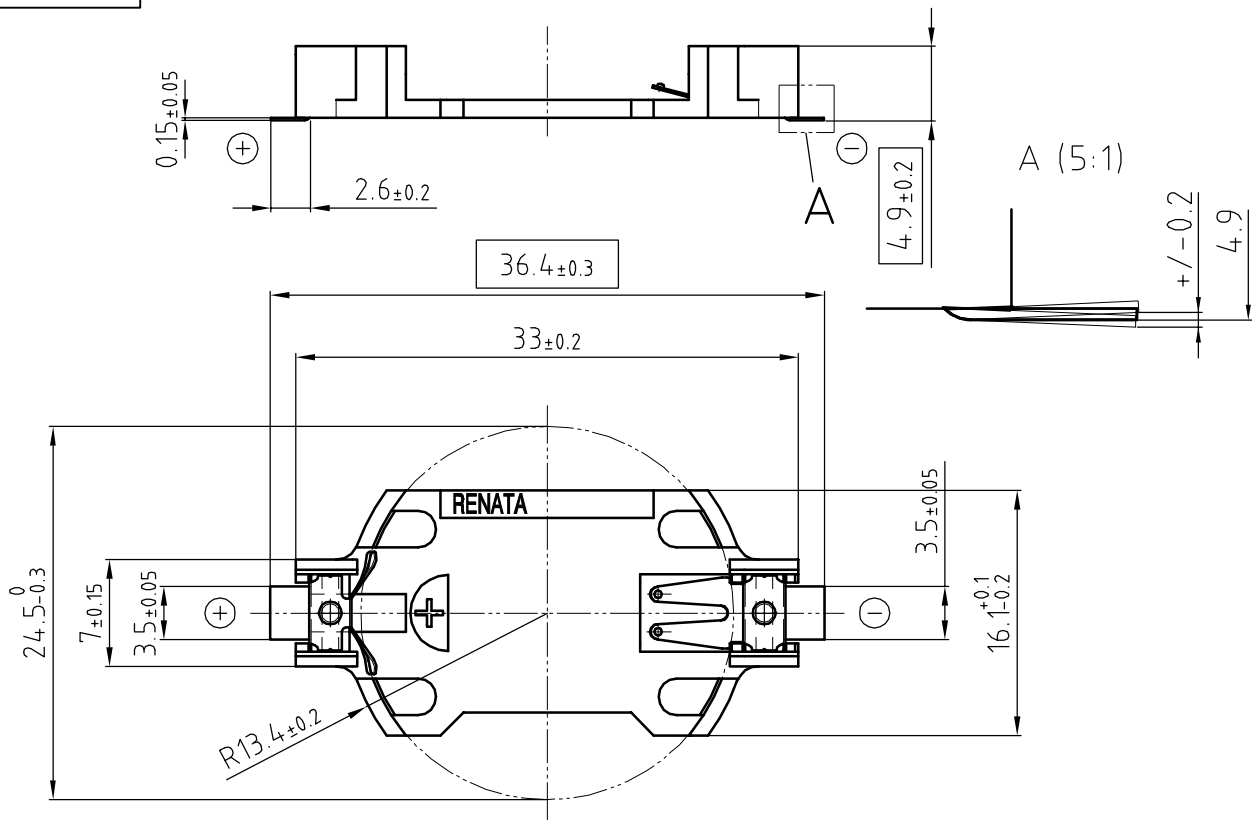


Art.-Number: 701117



Layout  
Top view

All dimensions in mm

Holder material : heat resistant, glass-fiber reinforced LCP

Battery contacts : spring stainless steel 301 nickel plated throughout

Solder contacts : spring stainless steel 301 solder area tin-plated throughout, min. thickness 5um

All framed values will be used for dimension checking !

The Products of Renata SA are neither designed nor authorized for use in certain areas of application of environment.

For further details we refer to our webpage [www.renata.com/downloads/restriction\\_of\\_use](http://www.renata.com/downloads/restriction_of_use)

Rev.	①	07.09.07	MCi	Rev.	④	29.08.19	PWu		Customer's Approval		
Rev.	②	24.10.07	SRi	Rev.	○				Date		
Rev.	③	15.09.10	Wu Ping	Rev.	○				Signature		
Title:								Scale 2:1	Drawn	25.01.05	SRi
SMTU2430-LF									Checked		
									Approved		
				CH-4452 Itingen Switzerland				3.8761.4-4			

Samples can deviate in the execution from the serie.

- Dimensions and tolerances can be specified only after the testing of the devices for the mass production definitely