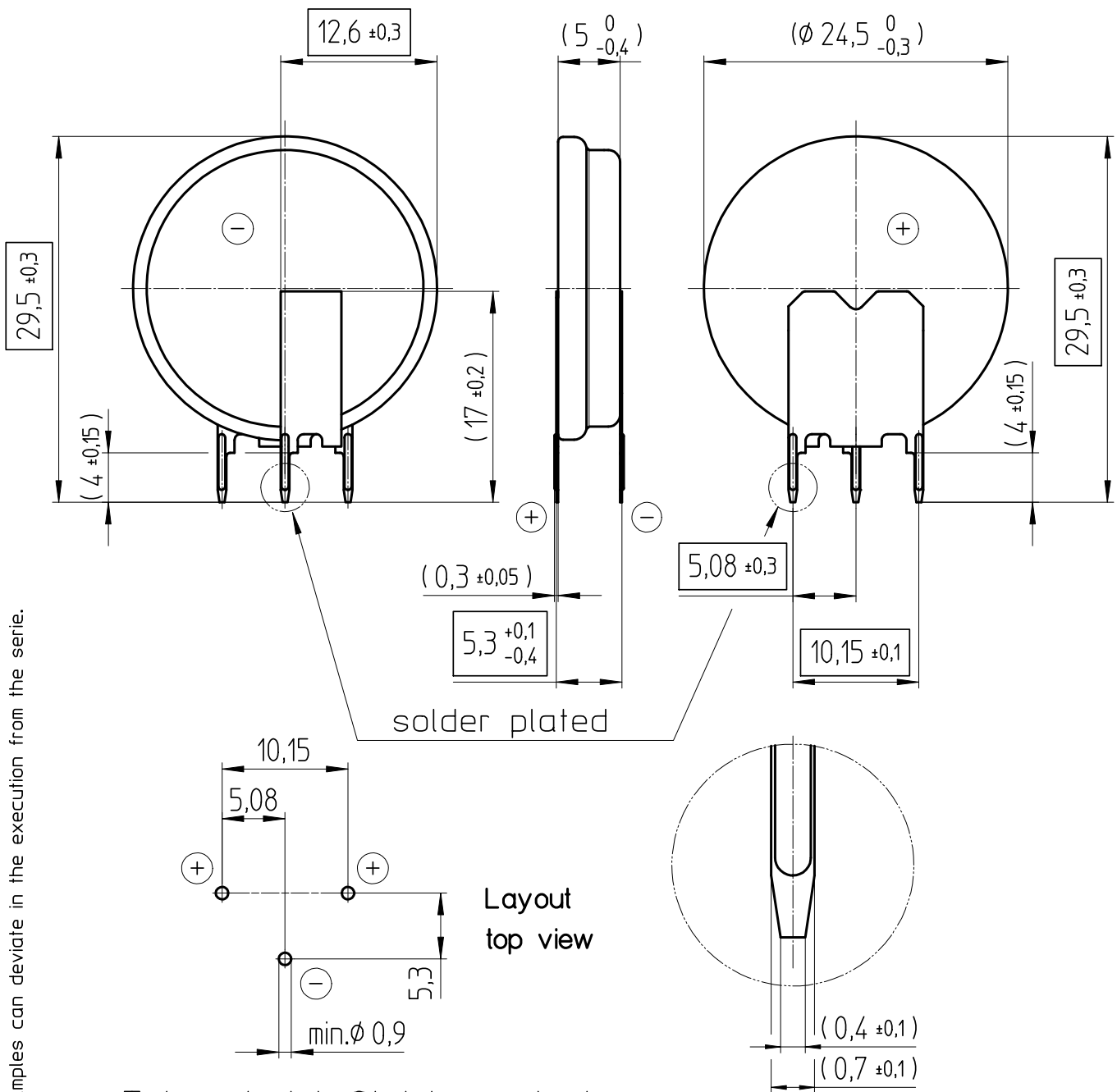


Art.-Number: 701099



- Samples can deviate in the execution from the serie.

- Dimensions and tolerances can be specified only after the testing of the devices for the mass production definitely

Tab material: Stainless steel

All framed values will be used for dimension checking !

The Products of Renata SA are neither designed nor authorized for use in certain areas of application of environment.
For further details we refer to our webpage: www.renata.com/downloads/restriction_of_use

Rev.	①	13.09.2019	SRi	Rev.	⊙	.	.					Customer's Approval			
Rev.	⊙	.	.	Rev.	⊙	.	.					Date			
Rev.	⊙	.	.	Rev.	⊙	.	.					Signature			
Titel:								Scale	Drawn		06.01.05	SRi			
<h1 style="margin: 0;">CR2450NRV-LF</h1>								2:1	Checked		13.09.19	HSn			
								Approved		16.09.19	MDi				
								CH-4452 Itingen Switzerland				3.8737.4-1			