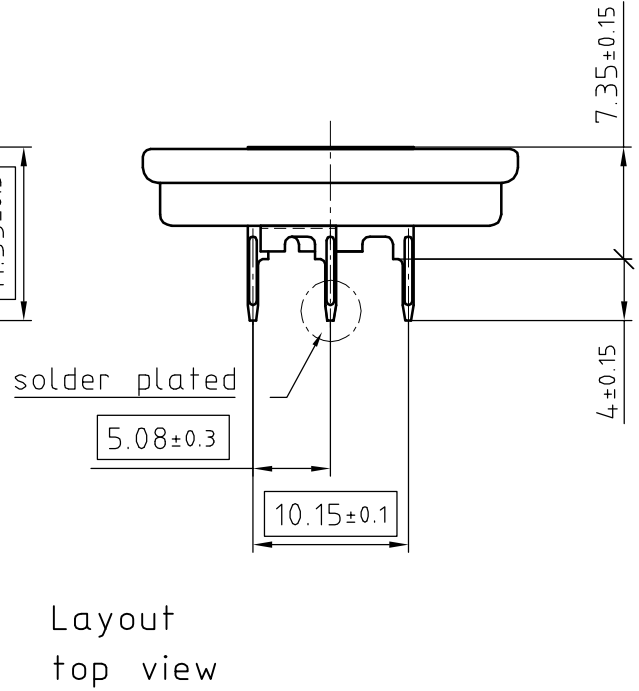
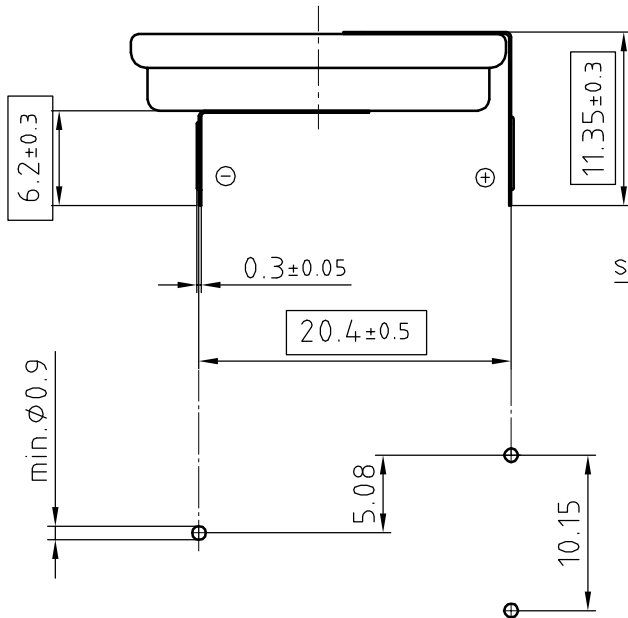
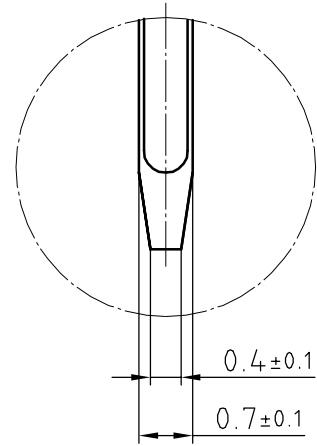
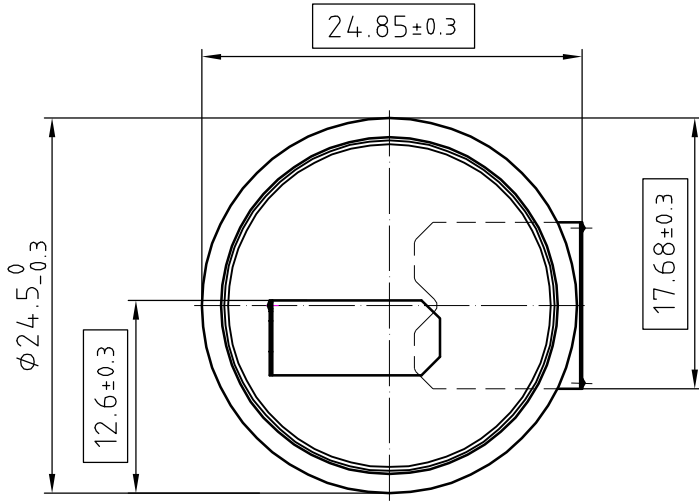


Art.-Number:703351



Layout top view

All dimensions in mm.

Tab material: Stainless steel

Direction of tab corrugation could be to the inner side, or outer side

All framed values will be used for dimension checking !

The Products of Renata SA are neither designed nor authorized for use in certain areas of application of environment.
For further details we refer to our webpage www.renata.com/downloads/restriction_of_use

| | | | | | | | | | | | |
|-----------------|---|----------|-----|------|---|--|--|--|----------|----------|-----|
| Rev. | ① | 26.08.19 | PWu | Rev. | ○ | | | Customer's Approval Date Signature | | | |
| Rev. | ○ | | | Rev. | ○ | | | | | | |
| Rev. | ○ | | | Rev. | ○ | | | | | | |
| Title: | | | | | | | | Scale | Drawn | 14.09.12 | PWu |
| CR2450N-MFR HR1 | | | | | | | | 2:1 | Checked | | |
| | | | | | | | | | Approved | | |

renata
batteries

CH-4452 Itingen
Switzerland

10.0940.4-1

- Samples can deviate in the execution from the serie.

- Dimensions and tolerances can be specified only after the testing of the devices for the mass production definitely