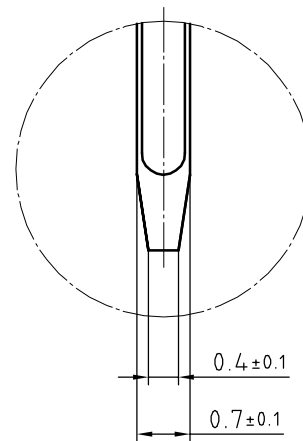
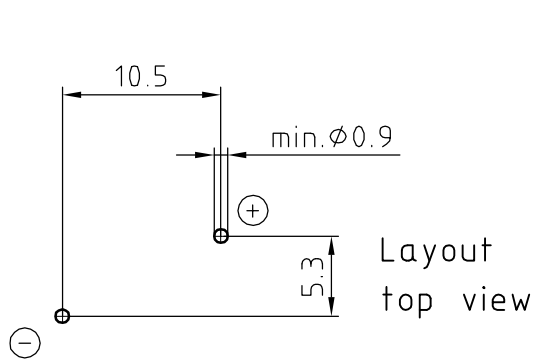
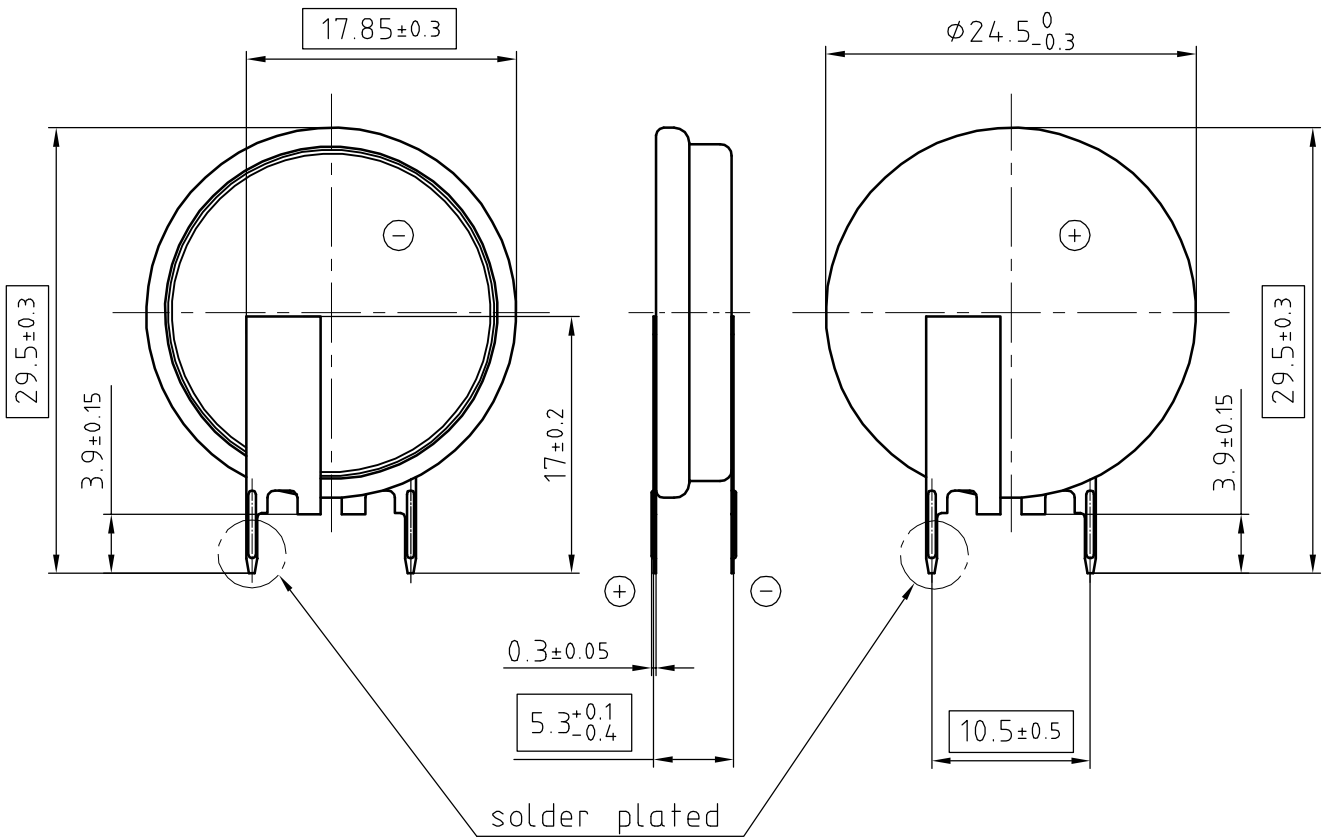


Art.-Number: 703347



All dimensions in mm.

Tab material: Stainless steel

Direction of tab corrugation could be to the inner side, or outer side

All framed values will be used for dimension checking !

The Products of Renata SA are neither designed nor authorized for use in certain areas of application of environment.

For further details we refer to our webpage www.renata.com/downloads/restriction_of_use

Rev. ①	23.08.19	PWU	Rev. ○				Customer's Approval		
Rev. ○			Rev. ○				Date		
Rev. ○			Rev. ○				Signature		
Title:						Scale	Drawn	14.09.12	PWU
<h1>CR2450N-MFR VF</h1>						2:1	Checked		
							Approved		

renata batteries

CH-4452 Itingen
Switzerland

10.0937.4-1

- Samples can deviate in the execution from the serie.

- Dimensions and tolerances can be specified only after the testing of the devices for the mass production definitely