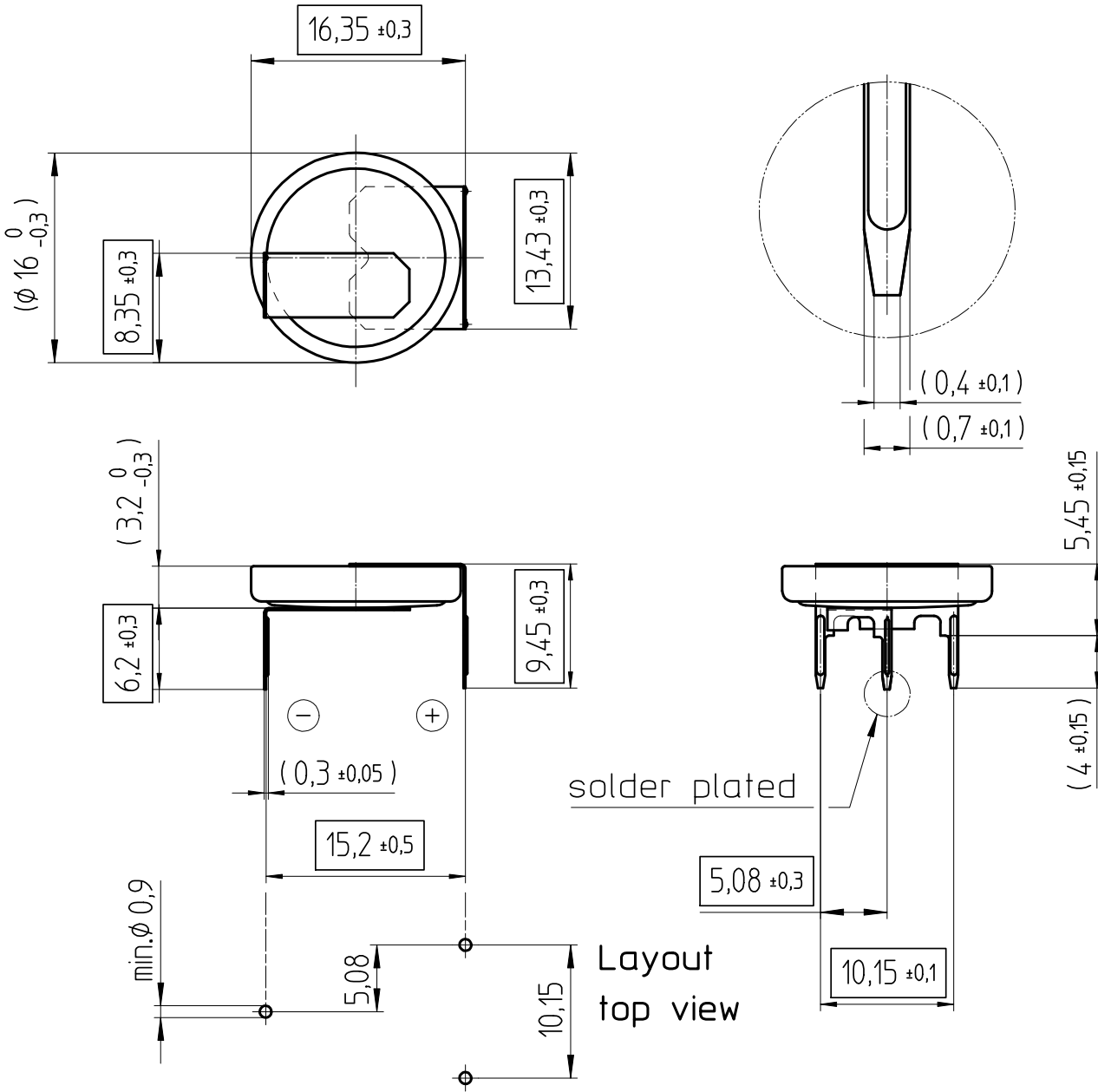


Art.-Number: 701238



- Samples can deviate in the execution from the serie.

Tab material: Stainless steel

All framed values will be used for dimension checking !

The Products of Renata SA are neither designed nor authorized for use in certain areas of application of environment. For further details we refer to our webpage: www.renata.com/downloads/restriction_of_use

- Dimensions and tolerances can be specified only after the testing of the devices for the mass production definitely

Rev.	①	05.09.2005	SRi	Rev.	⊙	.	.		Customer's Approval		
Rev.	②	13.09.2019	SRi	Rev.	⊙	.	.		Date		
Rev.	⊙	.	.	Rev.	⊙	.	.		Signature		
Titel:								Scale	Drawn	22.11.01	SRi
CR1632RH-LF								2:1	Checked	13.09.19	HSn
									Approved	16.09.19	MDi
				CH-4452 Itingen Switzerland				3.8509.4-2			