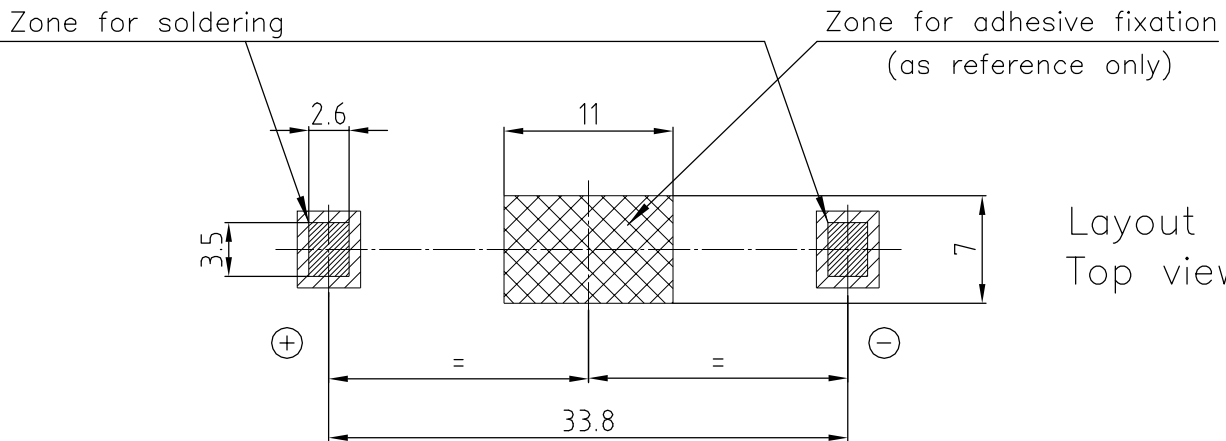
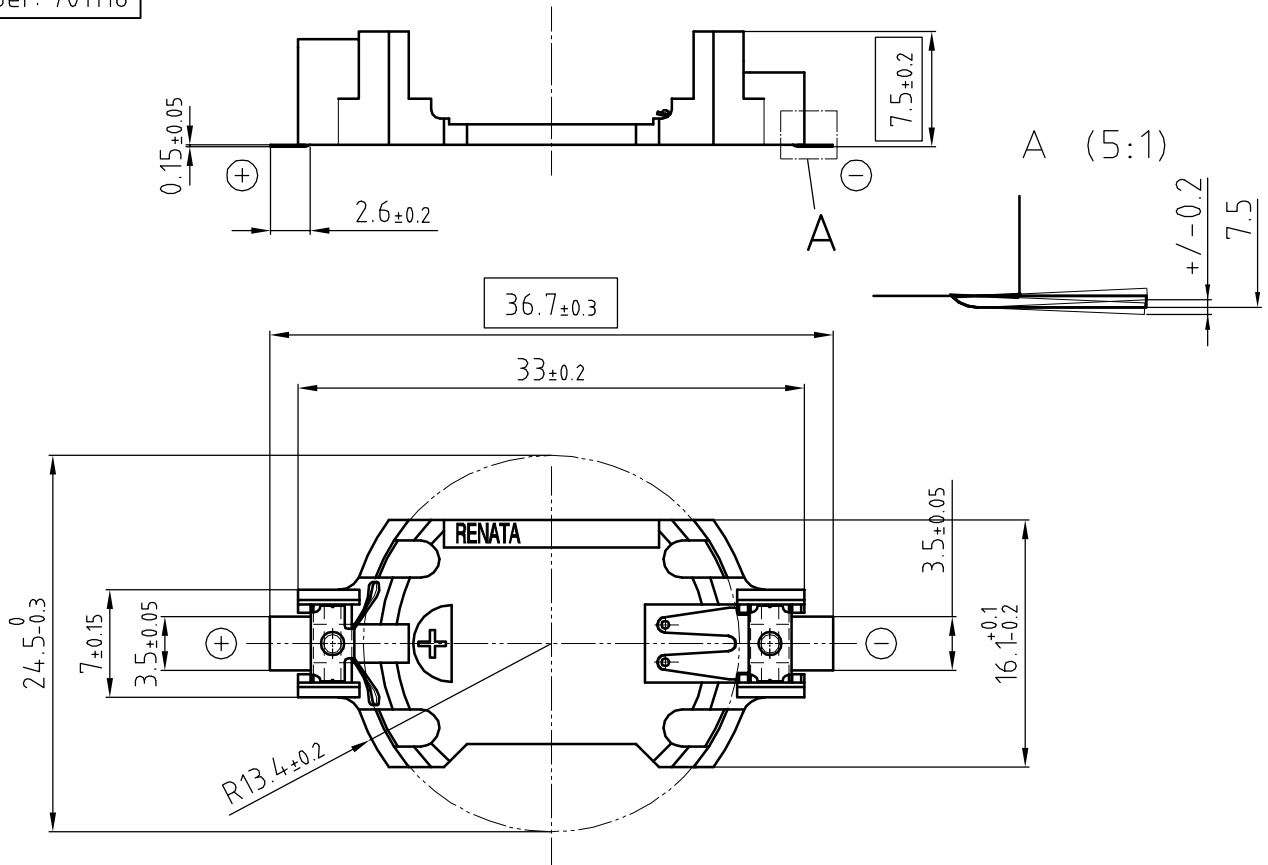


Art.-Number: 701118



Layout
Top view

All dimensions in mm

Holder material : heat resistant, glass-fiber reinforced LCP

Battery contacts : spring stainless steel 301 nickel plated throughout

Solder contacts : spring stainless steel 301 solder area tin-plated throughout, min. thickness 5um

All framed values will be used for dimension checking !

The Products of Renata SA are neither designed nor authorized for use in certain areas of application of environment.

For further details we refer to our webpage www.renata.com/downloads/restriction_of_use

- Dimensions and tolerances can be specified only after the testing of the devices for the mass production definitely

Rev.	①	07.09.07	MCI	Rev.	④	15.09.10	Wu Ping		Customer's Approval				
Rev.	②	24.10.07	SRI	Rev.	⑤	30.10.17	PWu		Date				
Rev.	③	18.12.07	SRI	Rev.	⑥	10.10.19	PWu		Signature				
Title:								Scale 2:1	Drawn	25.01.05	SRI		
<h1>SMTU2450N-LF</h1>									Checked				
									Approved				
								CH-4452 Itingen Switzerland			3.8762.4-6		