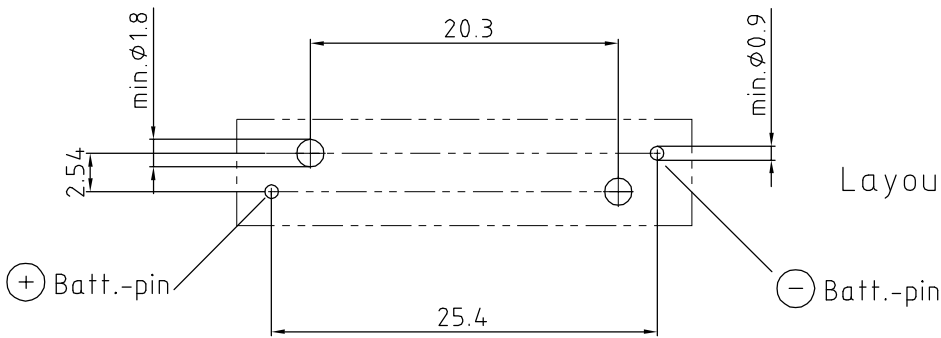
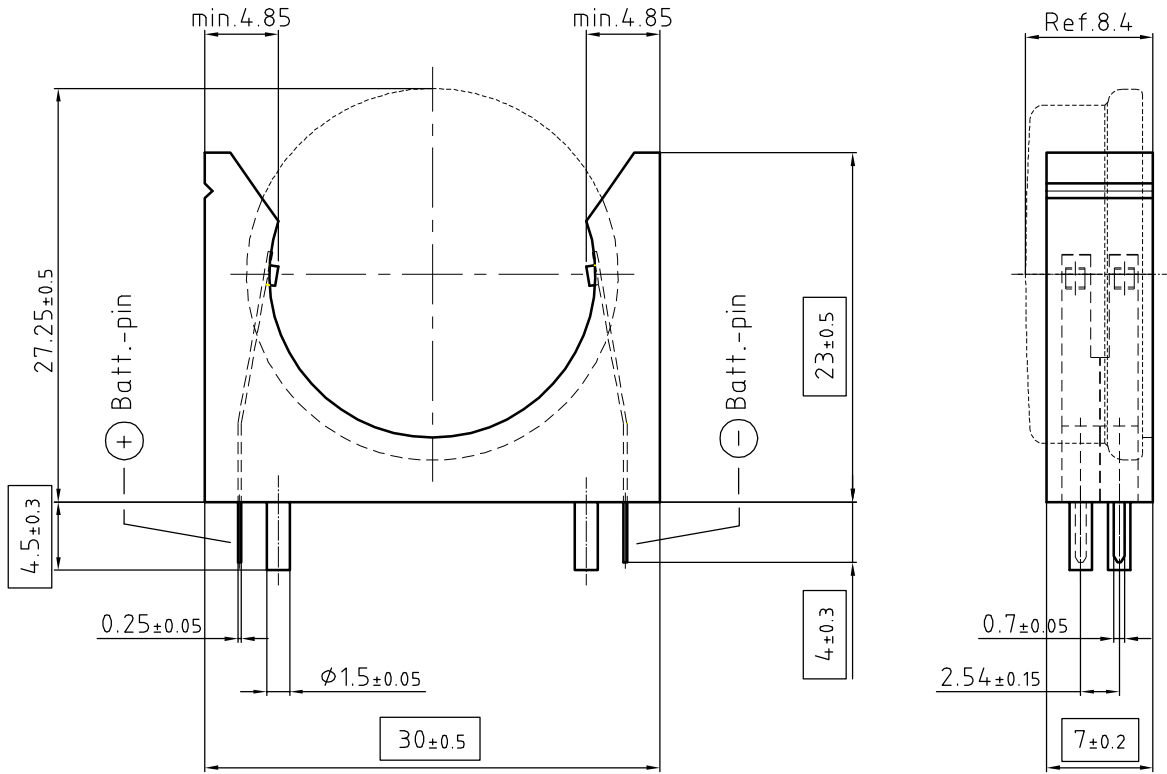


Art.-Number: 701111



Layout top view

Contact materials:
 Battery contacts: Ni 99.6
 Solder pins: tin-plated 100% Sn
 All dimensions in mm.

All framed values will be used for dimension checking !

*The Products of Renata SA are neither designed nor authorized for use in certain areas of application of environment.
 For further details we refer to our webpage www.renata.com/downloads/restriction_of_use*

Rev.	①	22.02.08	SRi	Rev.	○			Customer's Approval			
Rev.	②	03.09.19	PWu	Rev.	○			Date			
Rev.	○			Rev.	○			Signature			
Title:							Scale	Drawn	24.01.05	SRi	
NH5077-LF							2:1	Checked	02.09.19	MDi	
								Approved			
							CH-4452 Itingen Switzerland		3.8755.4-2		

Samples can deviate in the execution from the serie.

- Dimensions and tolerances can be specified only after the testing of the devices for the mass production definitely
 © 2019 by Renata SA Itingen/Switzerland