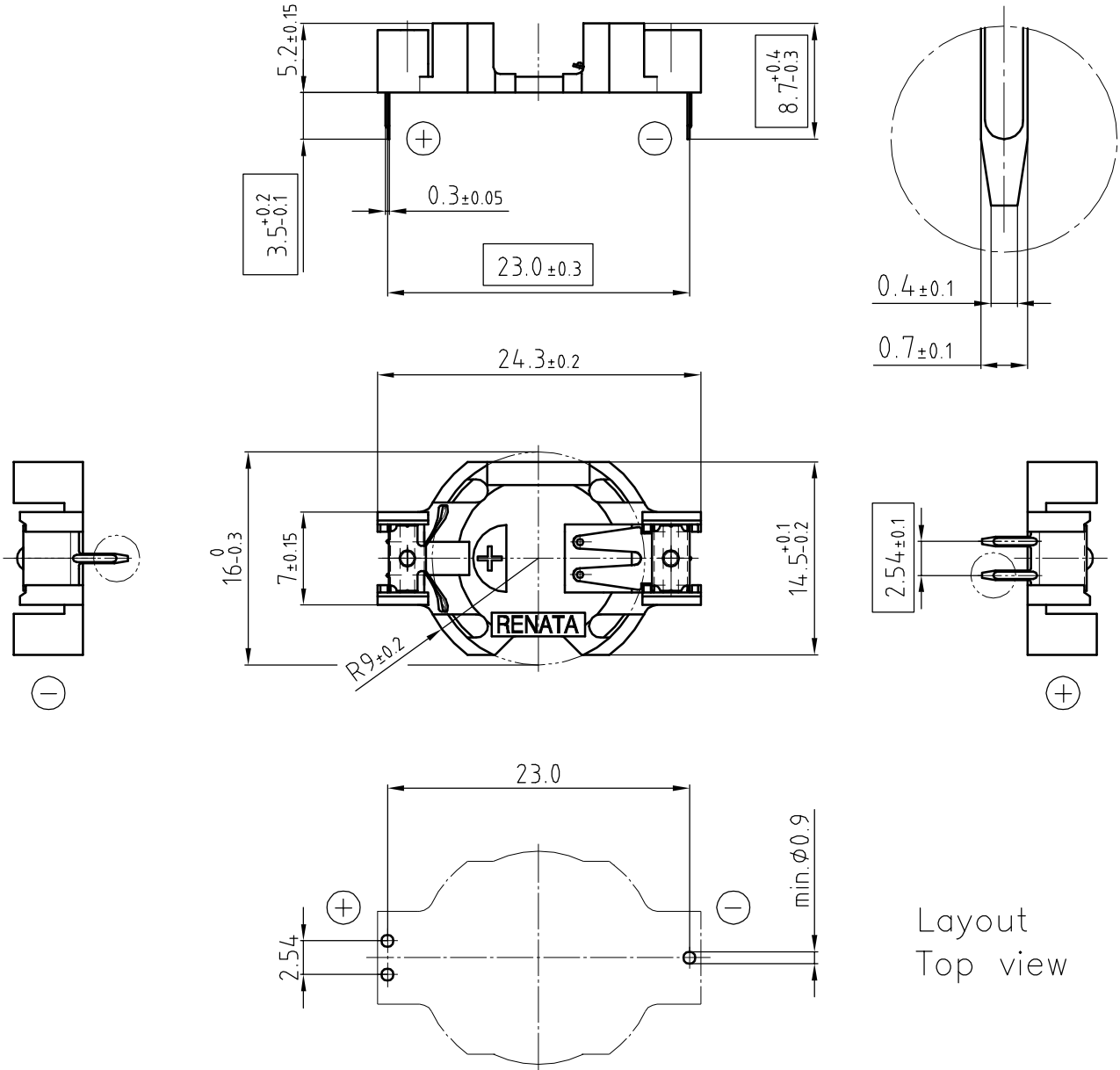


Art.-Number: 701131

- Samples can deviate in the execution from the serie.



Layout  
Top view

All dimensions in mm  
 Holder material : heat resistant, glass-fiber reinforced LCP  
 Battery contacts : spring stainless steel 301 nickel plated throughout  
 Solder contacts : spring stainless steel 301 solder area tin-plated throughout, min. thickness 5um

All framed values will be used for dimension checking !

The Products of Renata SA are neither designed nor authorized for use in certain areas of application of environment.  
 For further details we refer to our webpage [www.renata.com/downloads/restriction\\_of\\_use](http://www.renata.com/downloads/restriction_of_use)

- Dimensions and tolerances can be specified only after the testing of the devices for the mass production definitely

Rev.	①	10.09.07	M Ci	Rev.	○			 Customer's Approval				
Rev.	②	17.09.10	Wu Ping	Rev.	○						Date	
Rev.	③	27.08.19	P Wu	Rev.	○						Signature	
Title:								Scale	Drawn	06.04.05	S Ri	
HU1632-LF								2:1	Checked			
								Approved				
				CH-4452 Itingen Switzerland				3.8812.4-3				