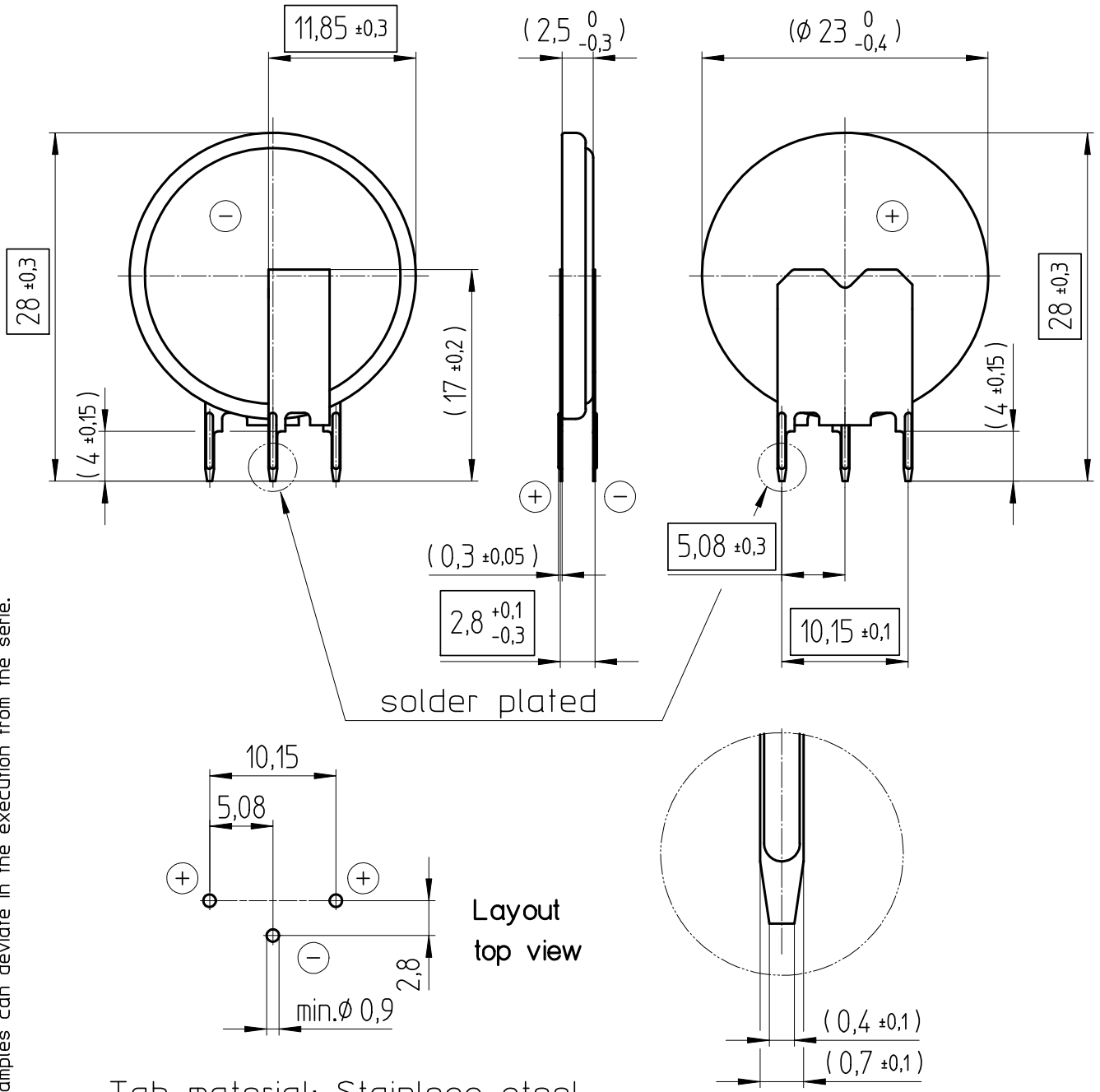


Art.-Number: 701088



Tab material: Stainless steel

All framed values will be used for dimension checking !

The Products of Renata SA are neither designed nor authorized for use in certain areas of application of environment. For further details we refer to our webpage: [www.renata.com/downloads/restriction\\_of\\_use](http://www.renata.com/downloads/restriction_of_use)

|             |   |            |     |                                |   |   |   |            |                     |          |     |
|-------------|---|------------|-----|--------------------------------|---|---|---|------------|---------------------|----------|-----|
| Rev.        | ① | 13.09.2019 | SRI | Rev.                           | ⊙ | . | . |            | Customer's Approval |          |     |
| Rev.        | ⊙ | .          | .   | Rev.                           | ⊙ | . | . |            | Date                |          |     |
| Rev.        | ⊙ | .          | .   | Rev.                           | ⊙ | . | . |            | Signature           |          |     |
| Titel:      |   |            |     |                                |   |   |   | Scale      | Drawn               | 03.01.05 | SRI |
| CR2325RV-LF |   |            |     |                                |   |   |   | 2:1        | Checked             | 13.09.19 | HSn |
|             |   |            |     |                                |   |   |   |            | Approved            | 16.09.19 | MDi |
|             |   |            |     | CH-4452 Itingen<br>Switzerland |   |   |   | 3.8726.4-1 |                     |          |     |

- Samples can deviate in the execution from the serie.

- Dimensions and tolerances can be specified only after the testing of the devices for the mass production definitely