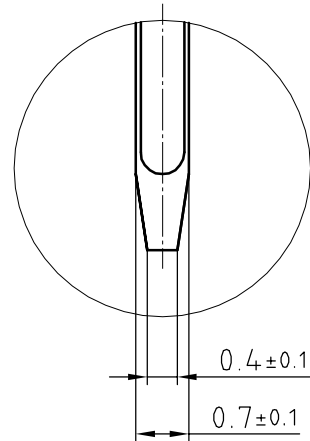
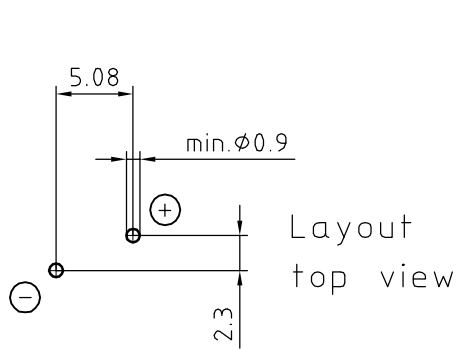
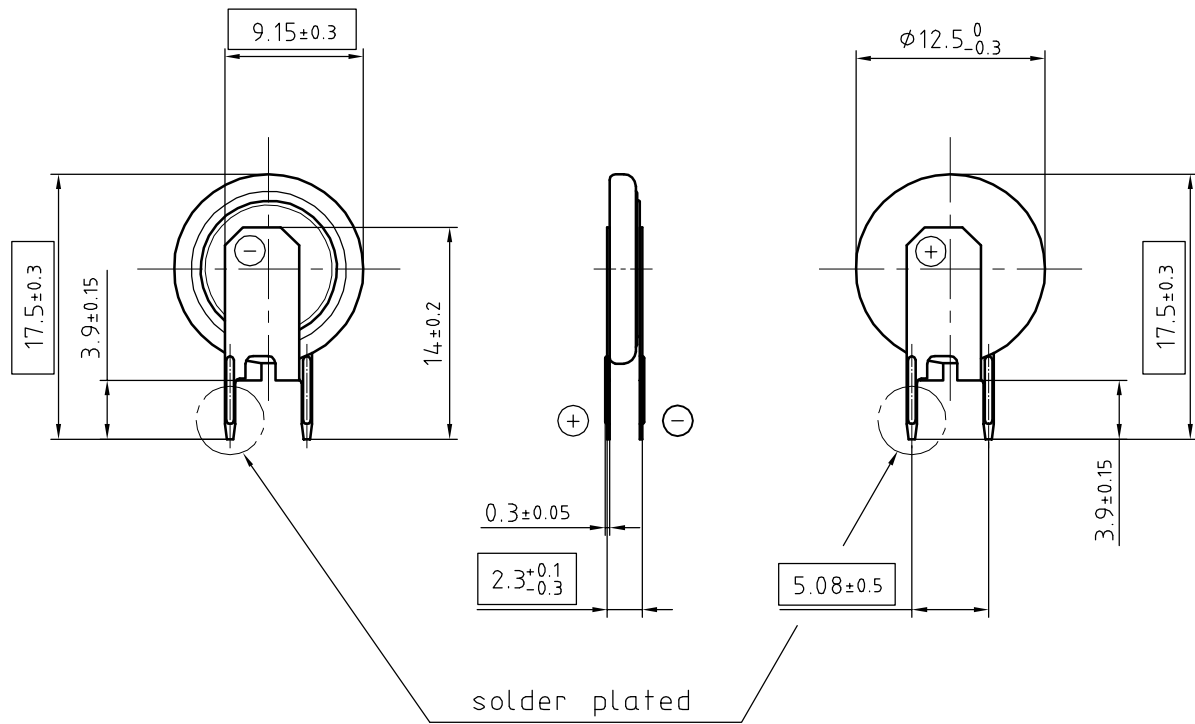


Art.-Number: 703934



Samples can deviate in the execution from the serie.

Tab material: Stainless steel

Direction of tab corrugation could be to the inner side, or outer side

All dimensions in mm.

- Dimensions and tolerances can be specified only after the testing of the devices for the mass production definitely © 2018 by Renata SA Itingen/Switzerland

All framed values will be used for dimension checking !

The Products of Renata SA are neither designed nor authorized for use in certain areas of application of environment. For further details we refer to our webpage www.renata.com/downloads/restriction_of_use

Rev.	①	27.08.19	PWu	Rev.	○			Customer's Approval		
Rev.	○			Rev.	○			Date		
Rev.	○			Rev.	○			Signature		
Title:							Scale	Drawn	18.05.18	PWu
<h1>CR1220 MFR FV</h1>							2:1	Checked		
								Approved		

renata batteries

CH-4452 Itingen
Switzerland

10.1753.4-1