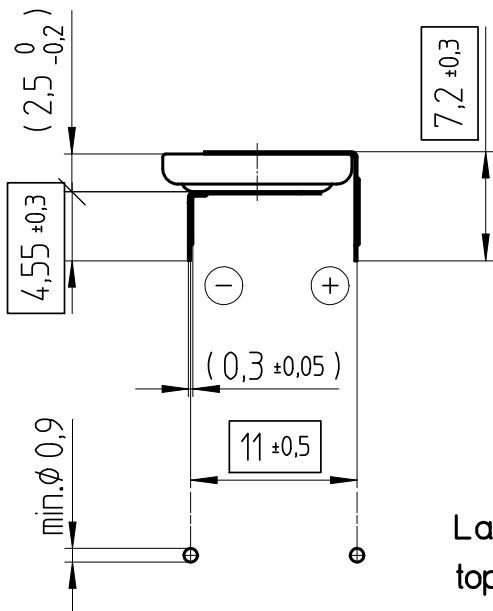
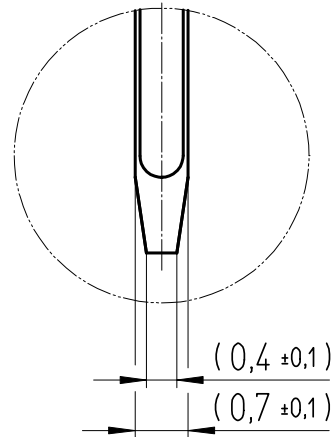
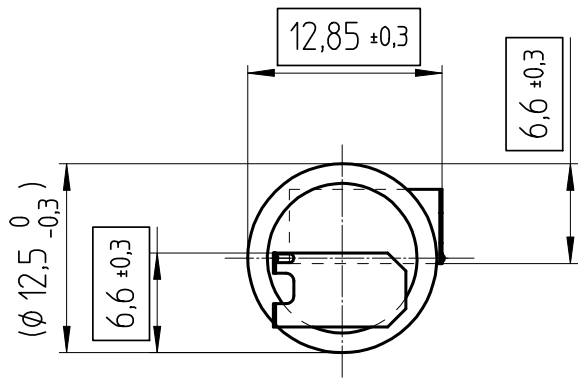
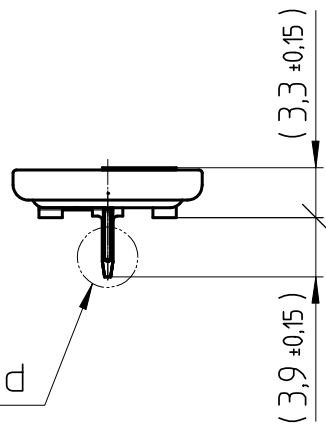


Art.-Number: 701065



Layout
top view

solder plated



Tab material: Stainless steel

All framed values will be used for dimension checking !

The Products of Renata SA are neither designed nor authorized for use in certain areas of application of environment. For further details we refer to our webpage: www.renata.com/downloads/restriction_of_use

- Samples can deviate in the execution from the serie.

- Dimensions and tolerances can be specified only after the testing of the devices for the mass production definitely

| | | | | | | | | | | | |
|-------------|---|------------|-----|--------------------------------|---|---|---|--------------|---------------------|-----------|-----|
| Rev. | ① | 11.09.2019 | SRI | Rev. | ⊙ | . | . | | Customer's Approval | | |
| Rev. | ⊙ | . | . | Rev. | ⊙ | . | . | | Date | | |
| Rev. | ⊙ | . | . | Rev. | ⊙ | . | . | | Signature | | |
| Titel: | | | | | | | | Scale 2:1 | Drawn | 21.12.04 | SRI |
| CR1225FH-LF | | | | | | | | | Checked | 13.05..19 | HSn |
| | | | | | | | | | Approved | 16.09.19 | MDi |
| | | | | CH-4452 Itingen Switzerland | | | | 3.8702.4-1 | | | |