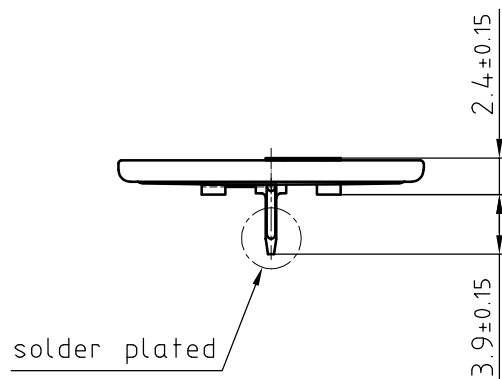
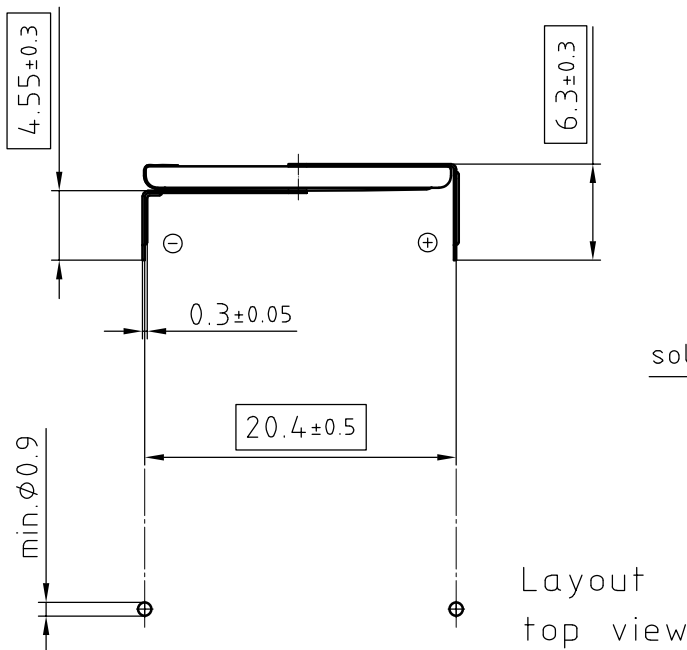
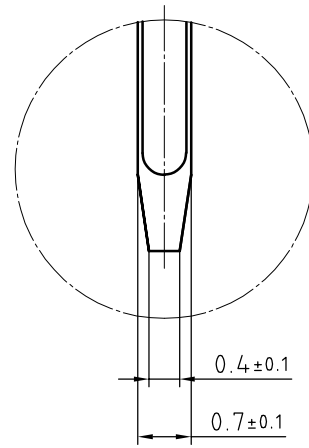
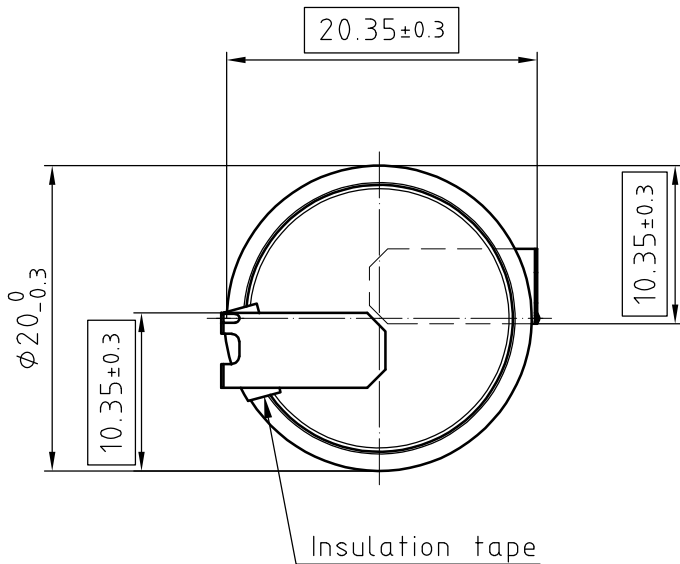


Art.-Number: 703316



- Samples can deviate in the execution from the serie.

All dimensions in mm.

Tab material: Stainless steel

Direction of tab corrugation could be to the inner side, or outer side

All framed values will be used for dimension checking !

*The Products of Renata SA are neither designed nor authorized for use in certain areas of application of environment.  
For further details we refer to our webpage [www.renata.com/downloads/restriction\\_of\\_use](http://www.renata.com/downloads/restriction_of_use)*

- Dimensions and tolerances can be specified only after the testing of the devices for the mass production definitely

Rev.	①	23.08.19	PWu	Rev.	○			Customer's Approval				
Rev.	②	16.08.24	DPLi	Rev.	○			Date				
Rev.	○			Rev.	○			Signature				
Title:							Scale	Drawn	18.09.12	PWu		
CR2016 MFR HF1							2:1	Checked	11.10.24	HSn		
								Approved	11.10.24	RFr		
							CH-4452 Itingen Switzerland			10.0906.4-2		