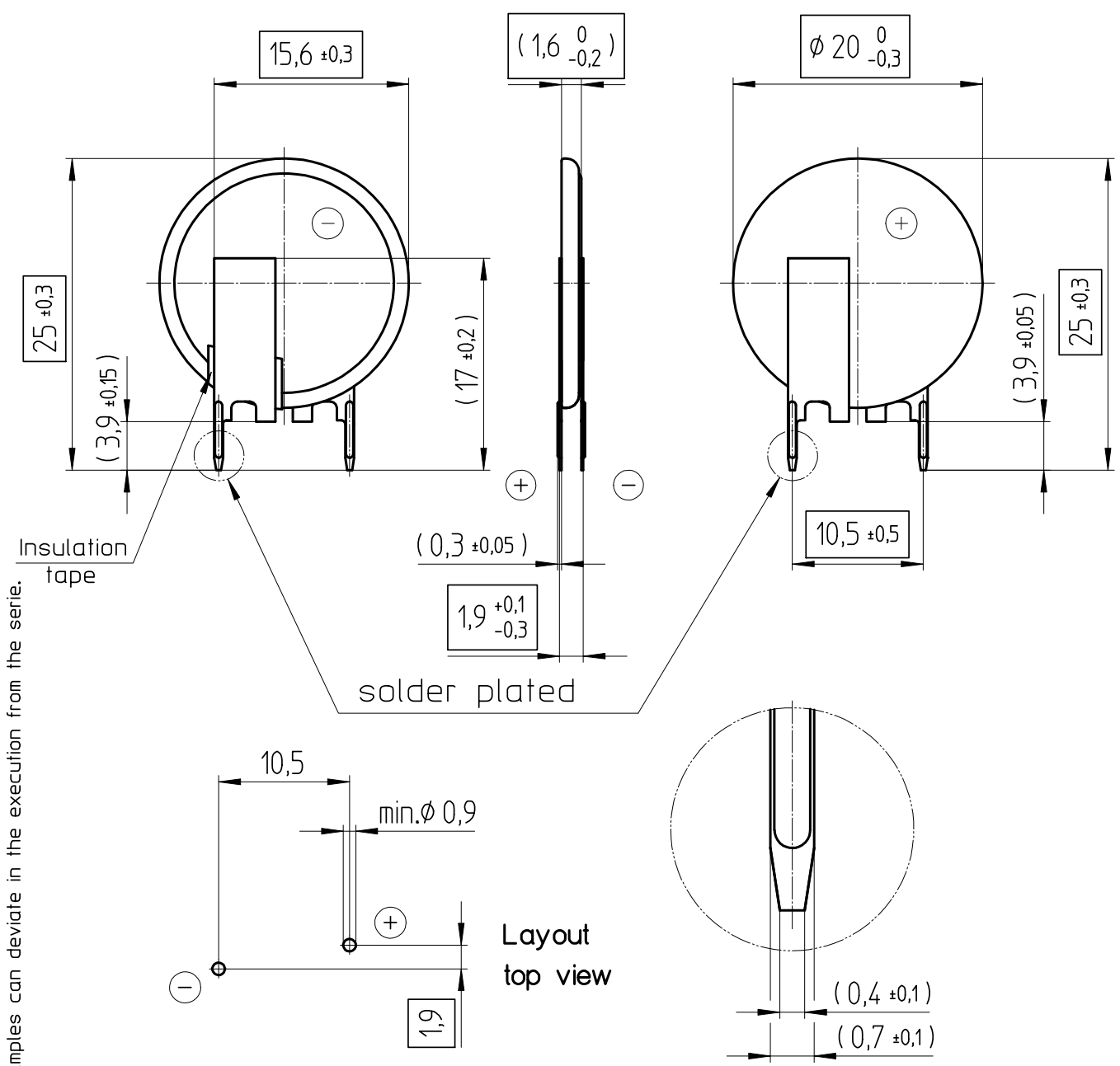


- Samples can deviate in the execution from the serie.

- Dimensions and tolerances can be specified only after the testing of the devices for the mass production definitely



Tab material: Stainless steel

All framed values will be used for dimension checking !

The Products of Renata SA are neither designed nor authorized for use in certain areas of application of environment. For further details we refer to our webpage: www.renata.com/downloads/restriction_of_use

Rev.	①	12.09.2019	SRi	Rev.	⊙	.	.				Customer's Approval		
Rev.	⊙	.	.	Rev.	⊙	.	.				Date		
Rev.	⊙	.	.	Rev.	⊙	.	.				Signature		
Titel:								Scale	2:1	Drawn	24.11.06	SRi	
CR2016 MFR FV										Checked	13.09.19	HSn	
										Approved	16.09.19	MDi	
				CH-4452 Itingen Switzerland				3.9168.4-1					