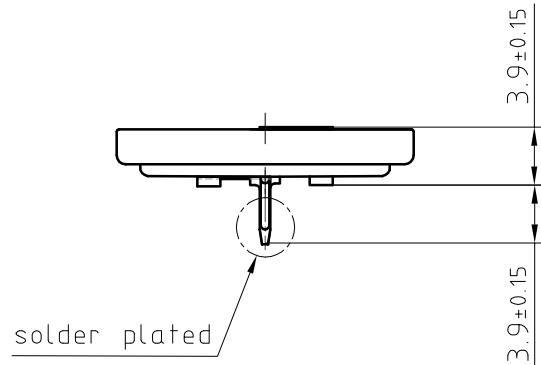
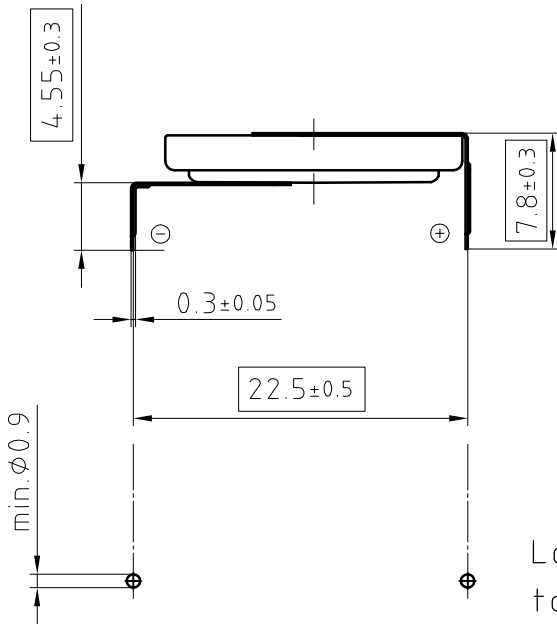
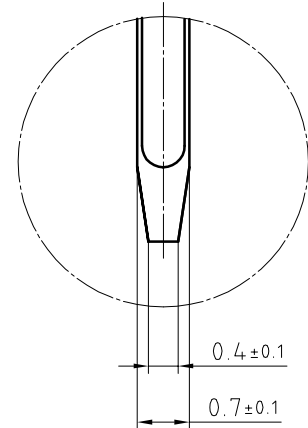
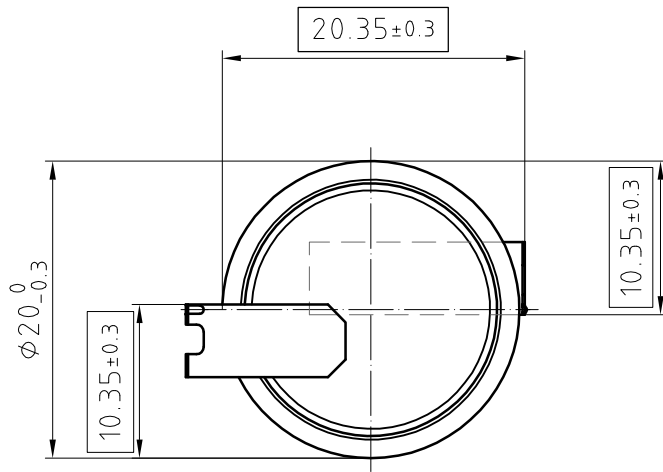


Art.-Number:703328



Layout top view

- Samples can deviate in the execution from the serie.

All dimensions in mm.

Tab material: Stainless steel

Direction of tab corrugation could be to the inner side, or outer side

All framed values will be used for dimension checking !

- Dimensions and tolerances can be specified only after the testing of the devices for the mass production definitely

Rev.	○			Rev.	○				Customer's Approval		
Rev.	○			Rev.	○				Date		
Rev.	○			Rev.	○				Signature		
Title:								Scale 2:1	Drawn	18.09.12	PWu
CR2032 MFR HF2									Checked		
									Approved	19.09.12	SRI

renata
batteries

CH-4452 Itingen
Switzerland

10.0918.4-