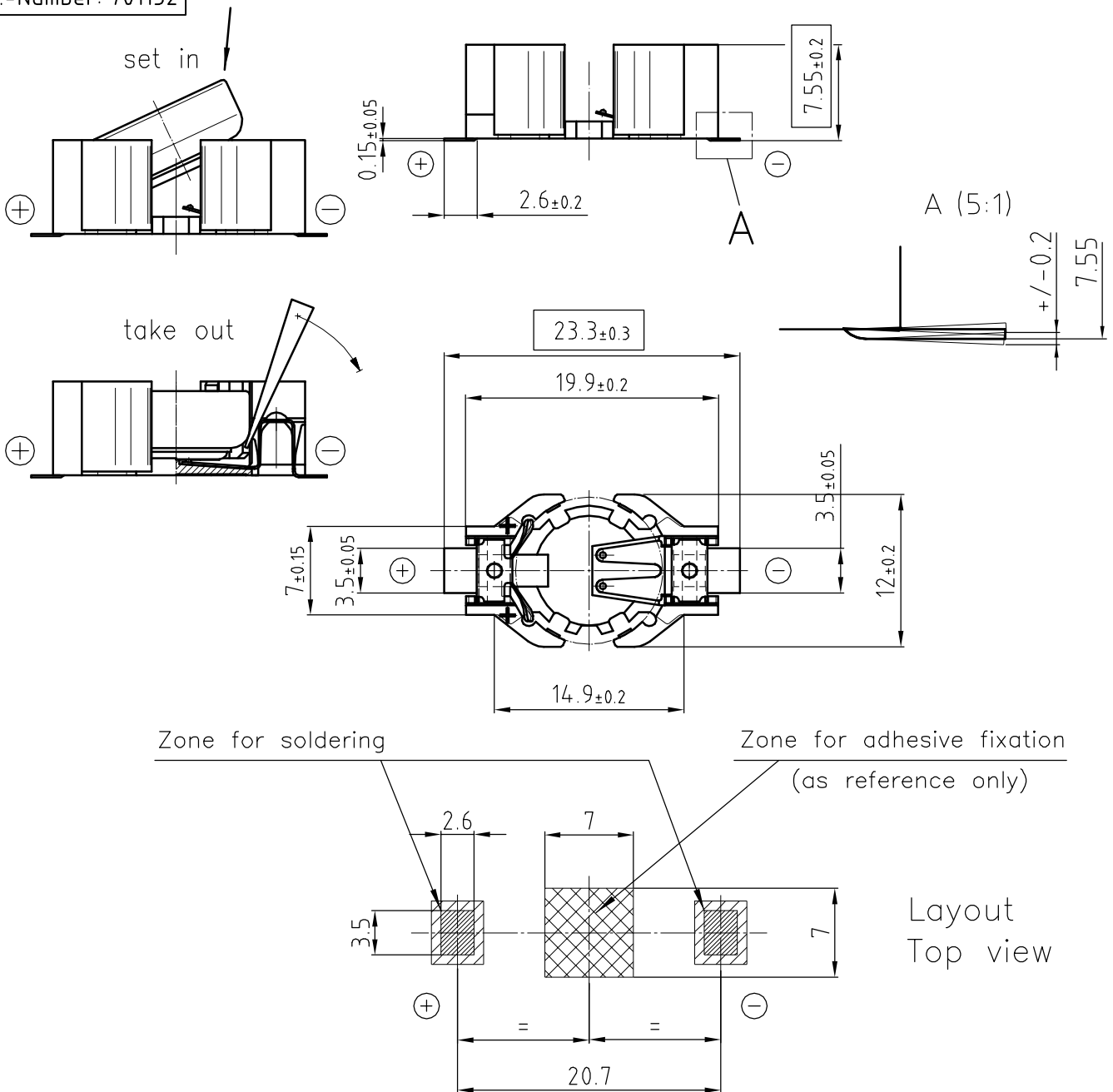


Art.-Number: 701132



All dimensions in mm

Holder material : heat resistant, glass-fiber reinforced LCP

Battery contacts : spring stainless steel 301 nickel plated throughout

Solder contacts : spring stainless steel 301 solder area tin-plated throughout, min. thickness 5um

All framed values will be used for dimension checking !

The Products of Renata SA are neither designed nor authorized for use in certain areas of application of environment.

For further details we refer to our webpage www.renata.com/downloads/restriction_of_use

- Dimensions and tolerances can be specified only after the testing of the devices for the mass production definitely

- Samples can deviate in the execution from the serie.

Rev.	①	07.09.07	MCI	Rev.	④	29.08.19	PWU		Customer's Approval				
Rev.	②	25.10.07	SRI	Rev.	○				Date				
Rev.	③	15.09.10	Wu Ping	Rev.	○				Signature				
Title:								Scale 2:1	Drawn	01.12.05	SRI		
SMTU357-LF									Checked				
									Approved				
								CH-4452 Itingen Switzerland			3.8922.4-4		